

**Description:** High efficiency LED decorative pendant mount luminaire with machined aluminum housing and clear acrylic light control lens.

**Lamping:** Single 2 watt LED, 150 lumens, 90 CRI, 2700K (warm white color temperature). Color consistent from LED to LED within a 3 step MacAdam ellipse.

**Electrical:** Constant current class 2 driver (0-10V dimmable), 120/277V 50/60Hz, 700mA (sold separate). See D8 remote driver spec sheet for details.

**Function:** Canopy and mounting plate provided. Mounts directly to 4" octagonal j-box (by others)

**Metal finish:** Clear anodized aluminum  
(Custom anodized finishes available)

**Light Distribution Optics:**

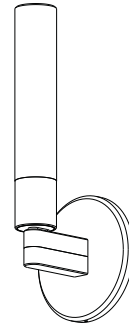


Diffuse  
(standard)

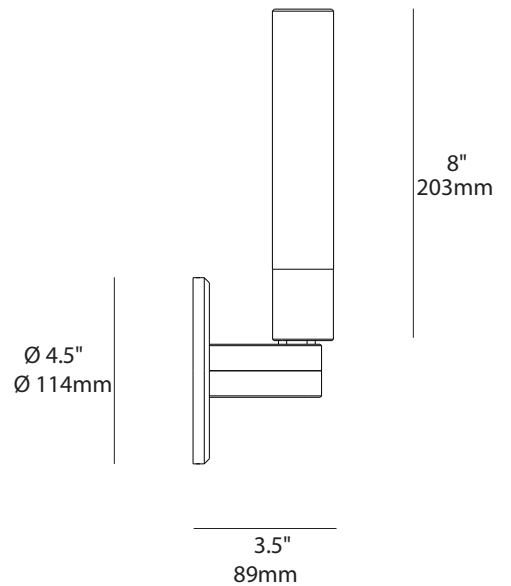


Concentric  
(optional)

**Approvals:** Dry locations, approved to UL safety standards for luminaires when used with Archilume D8 driver.



Ø 1.50"  
Ø 38mm



**Description:** Remote Mounted Electronic Driver - Suitable for operation of 1 to 8 Archilume lamp heads. Suitable for remote mounting up to 25 feet.

**Electrical:** 20 watt, 120-277V 50/60Hz input, 700mA constant current class 2 output. Class A sound rating. Short circuit protection. The violet (positive) and the gray (negative) leads provided are for use with 0-10V DC type dimmers and controls.

**Compatible 0-10V dimmers and switches:** Leviton IllumaTech - IP710-DLX  
Lutron Nova T - NTFTV  
Lutron Diva - DVTV  
Lutron Diva - NFTV  
Watt Stoper DCLV1  
Pass and Seymour (Legrand) CD4FB-W

**Compatible dimming control systems:** Lutron GraphicEye - GRX-TVI w GRX3503  
Lutron Energy Savr Node - QSN-4T16-S  
Lutron TVM2 Module  
Crestron GLX-DIMFLV8  
Crestron GLXP-DIMFLV8  
Crestron GLPAC-DIMFLV4-\*  
Crestron GLPAC-DIMFLV8-\*  
Crestron GLPP-DIMFLVEX-PM  
Crestron GLPP-1DIMFLV2EX-PM  
Crestron GLPP-1DIMFLV3EX-PM  
Crestron DIN-AO8  
Crestron DIN-4DIMFLV4  
Crestron CLS-EXP-DIMFLV  
Crestron CLCI-1DIMFLV2EX

**Mounting:** Mounts from inside box with (2) #10 screws (by others). Mounting holes are on the centerline on 6.75" (171mm) centers.

**Remote Box Finish:** Galvanized metal.

**Approvals:** Dry locations, approved to UL safety standards for luminaires.

