

WARNING To be installed by qualified electrician. Power must be off when work is done. Failure to do so will cause permanent LED damage and will void warranty. Class 2 connection only. Use with Archilume constant current power supply only.

Series wiring only

*****Use with Archilume D8-700 driver only*****

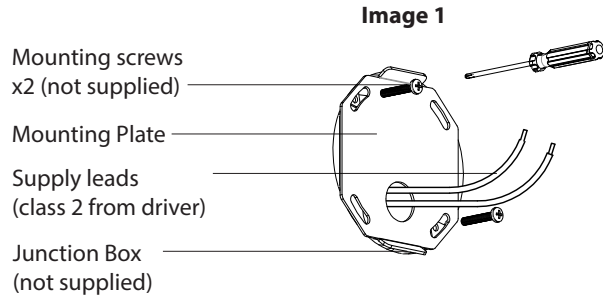


Image 1
Attach mounting plate to octagonal j-box (by others) using screws supplied with j-box. Route class 2 wiring from driver through hole in mounting plate. Check that mounting plate is level as required.

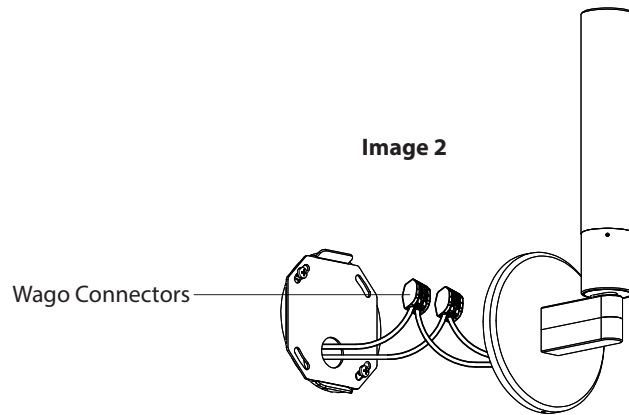
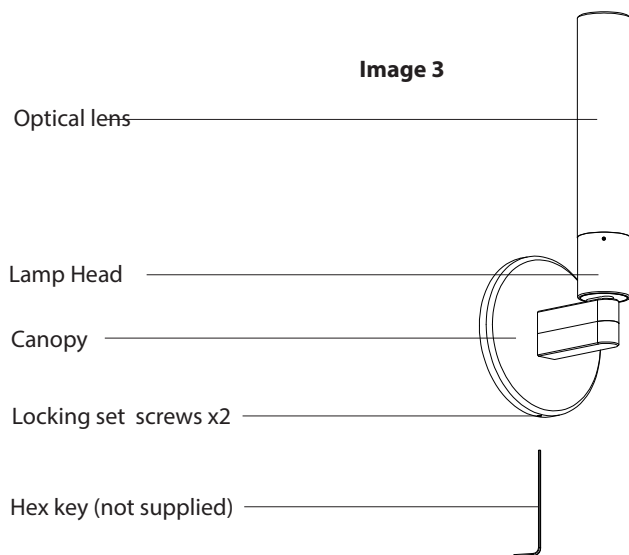


Image 2
Make positive and negative connections (class 2) using the Wago connectors supplied. Check wiring instruction for correct connection. **Use Archilume D8-700 driver only.**

Push connections into j-box

Image 3

Fit canopy over mounting plate. Secure to the wall and adjust level. Tighten 2 set screws with hex key until tight. Do not over tighten.

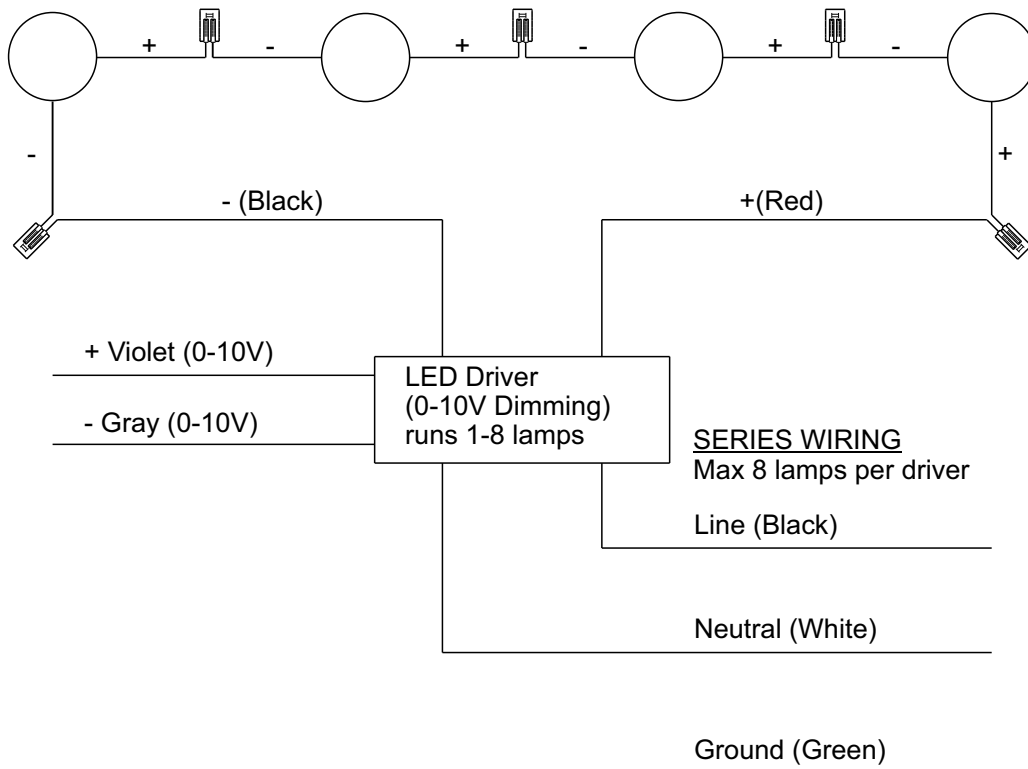


WARNING To be installed by qualified electrician. Power must be off when work is done. Failure to do so will cause permanent LED damage and will void warranty. Class 2 connection only. Use with Archilume constant current power supply only.

Series wiring only

*****Use with Archilume P1, P1M, P1C, P1D, P1T, P2, P3, P4, P5, P1_Balance, P2_Balance, W1D, W1U, W2UD, W4 only*****

*****DO NOT USE ON ALTO, AURA or OVOLO*****



WARNING To be installed by qualified electrician. Power must be off when work is done. Failure to do so will cause permanent LED damage and will void warranty. Class 2 connection only. Use with Archilume constant current power supply only.

Series wiring only

*****Use with Archilume P1, P1M, P1C, P1D, P1T, P2, P3, P4, P5, P1_Balance, P2_Balance, W1D, W1U, W2UD, W4 only*****

*****DO NOT USE ON ALTO, AURA or OVOLO*****

