

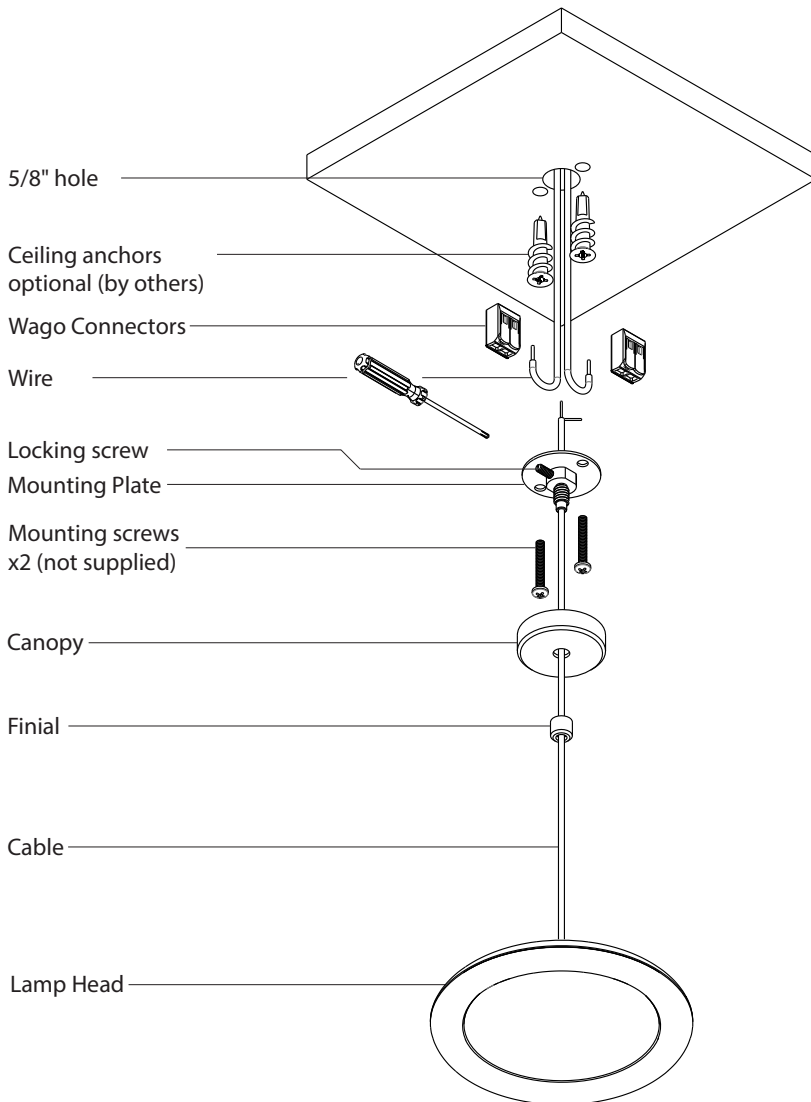
archilume

Model No: AL Series (P1M_Ovolo) Date: yyyymmdd
 Ratings: 150mA, 20VDC, 3W Max
 Input: Class 2
 Warning: To be installed by a qualified electrician
 Relamp with Archilume part no. AL-H1

WARNING To be installed by qualified electrician. Power must be off when work is done. Failure to do so will cause permanent LED damage and will void warranty. Class 2 connection only. Use with Archilume constant current power supply only.

Series wiring only

Use with Archilume D8-150 driver only



Drill 5/8" hole in the ceiling and bring class 2 supply wires (from remote driver) through the hole.

Route lamp head cable through the finial, canopy and mounting plate.

Strip the outer part of cable 3/4" exposing the outer shielding. Twist outer shielding into a wire for the negative connection. Strip center core of cable 1/2" long exposing center wire for the positive connection. Ensure that there are no frayed wires.

Make positive and negative connections (class 2) using the Wago connectors supplied. Check wiring instruction for correct connection. **Use Archilume D8-150 driver only.**

Push connections through 5/8" ceiling hole. Check with local codes for compliance.

Adjust cable to desired length and tighten locking screw

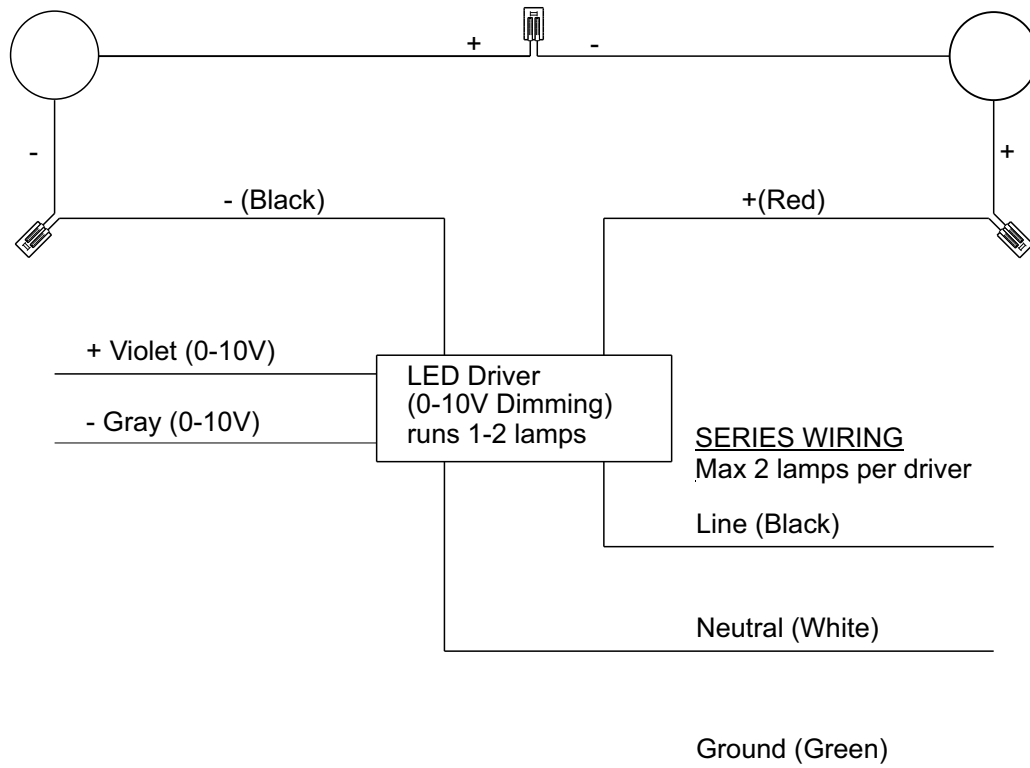
Secure mounting plate to the ceiling using drywall anchors or other suitable mounting method for ceiling type. Insure fasteners and mounting structure is suitable for fixture weight.

Secure canopy to the ceiling with finial. tighten until secure.

WARNING To be installed by qualified electrician. Power must be off when work is done. Failure to do so will cause permanent LED damage and will void warranty. Class 2 connection only. Use with Archilume constant current power supply only.

Series wiring only

*****Use with Archilume Ovolo only*****



WARNING To be installed by qualified electrician. Power must be off when work is done. Failure to do so will cause permanent LED damage and will void warranty. Class 2 connection only. Use with Archilume constant current power supply only.

Series wiring only

*****Use with Archilume Ovolo only*****

