

## archilume

Model No: AL Series (P1M\_Aura) Date: yyyymmdd  
 Ratings: 250mA, 17VDC, 4.25W Max  
 Input: Class 2  
 Warning: To be installed by a qualified electrician  
 Relamp with Archilume part no. AL-H1

**WARNING** To be installed by qualified electrician. Power must be off when work is done. Failure to do so will cause permanent LED damage and will void warranty. Class 2 connection only. Use with Archilume constant current power supply only.

**Series wiring only**  
**\*\*\*Use with Archilume D8-250 driver only\*\*\***

Drill 5/8" hole in the ceiling and bring class 2 supply wires (from remote driver) through the hole.

Route lamp head cable through the finial, canopy and mounting plate.

Strip the outer part of cable 3/4" exposing the outer shielding. Twist outer shielding into a wire for the negative connection. Strip center core of cable 3/8" long exposing center wire for the positive connection. Ensure that there are no frayed wires.

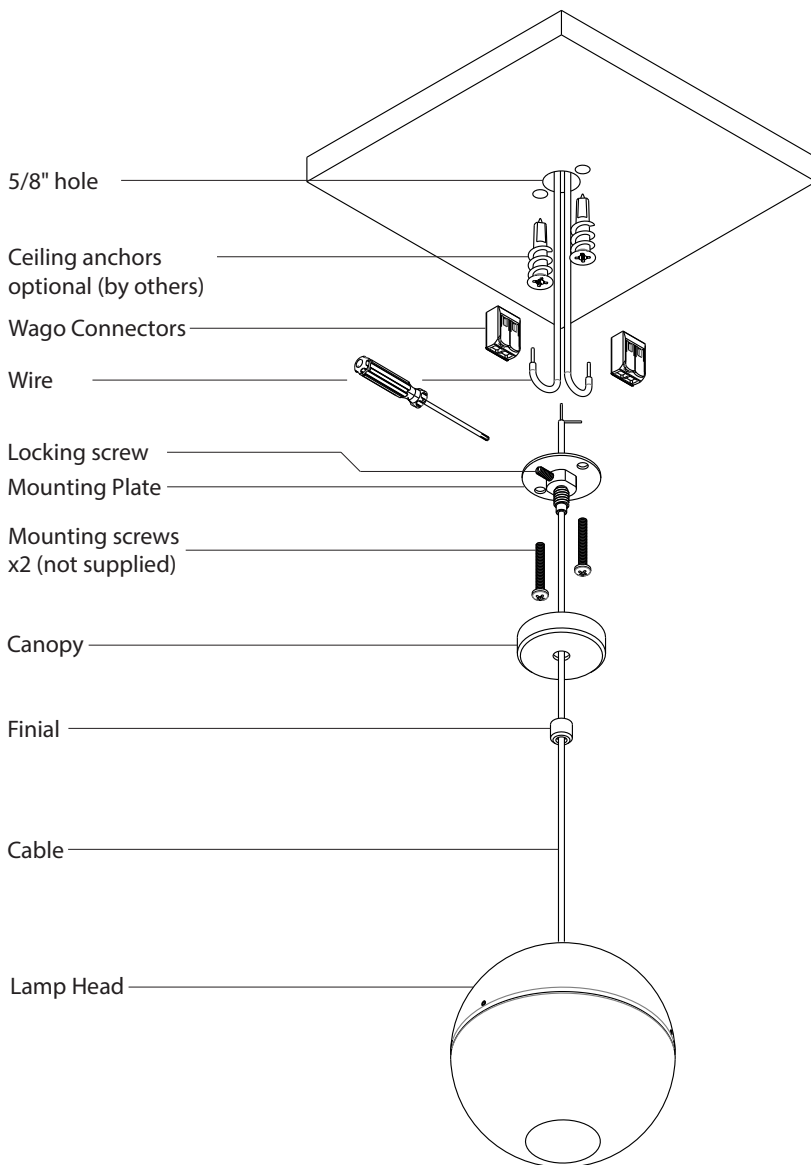
Make positive and negative connections (class 2) using the Wago connectors supplied. Check wiring diagram for correct wiring procedure. **Use Archilume D8-250 driver only.**

Push connections through 5/8" ceiling hole. Check with local codes for compliance.

Adjust cable to desired length and tighten locking screw

Secure mounting plate to the ceiling using drywall anchors or other suitable mounting method for ceiling type. Insure fasteners and mounting structure is suitable for fixture weight.

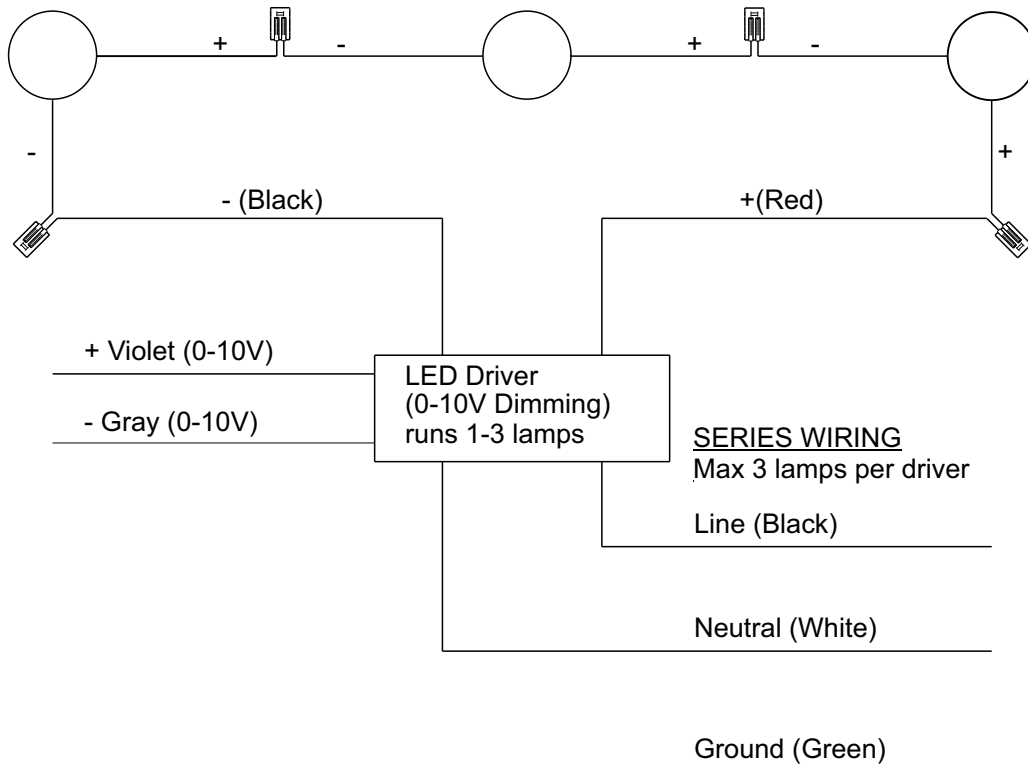
Secure canopy to the ceiling with finial. Tighten until secure.



**WARNING** To be installed by qualified electrician. Power must be off when work is done. Failure to do so will cause permanent LED damage and will void warranty. Class 2 connection only. Use with Archilume constant current power supply only.

**Series wiring only**

**\*\*\*Use with Archilume Alto or Aura only\*\*\***



**WARNING** To be installed by qualified electrician. Power must be off when work is done. Failure to do so will cause permanent LED damage and will void warranty. Class 2 connection only. Use with Archilume constant current power supply only.

**Series wiring only**

**\*\*\*Use with Archilume Alto or Aura only\*\*\***

