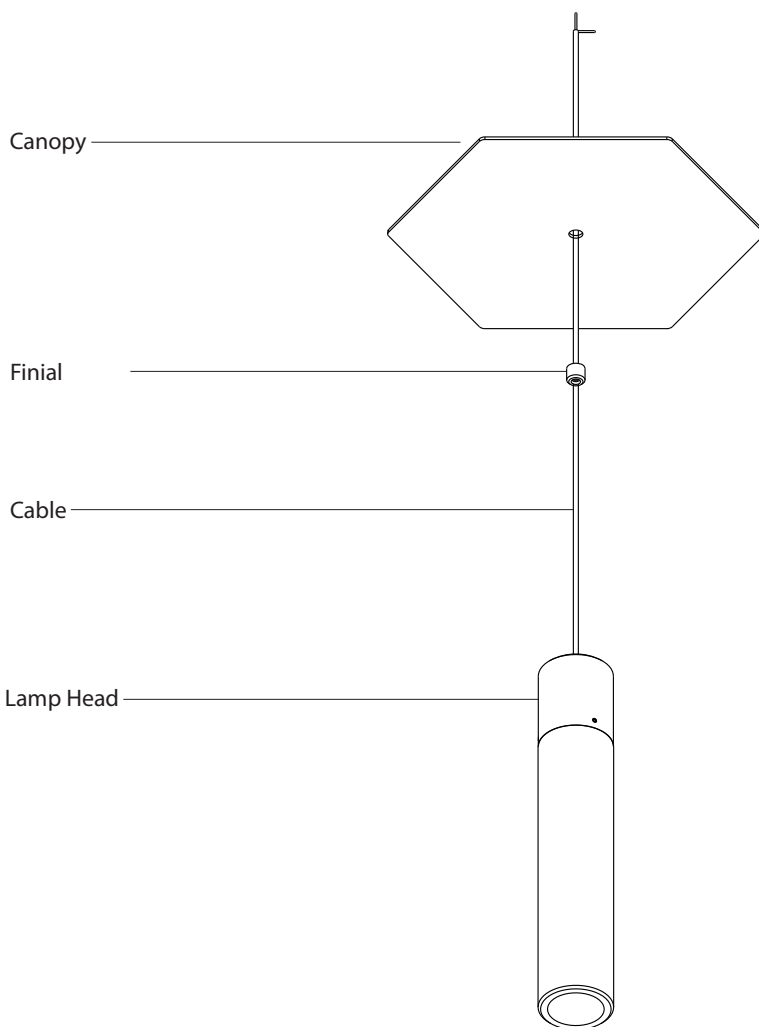
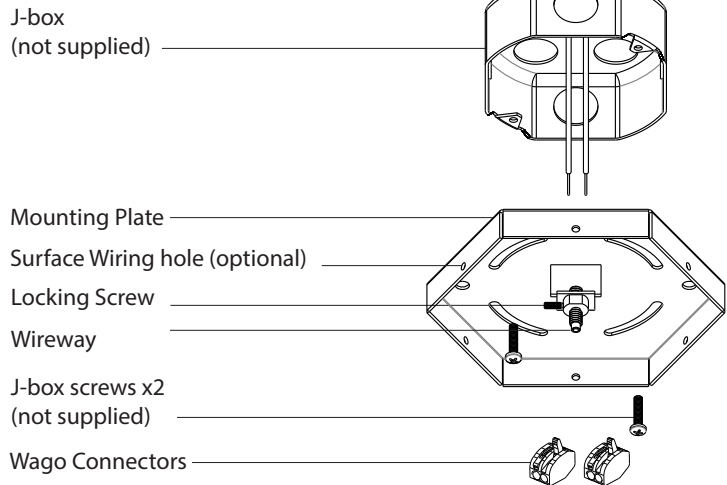


**WARNING** To be installed by qualified electrician. Power must be off when work is done. Failure to do so will cause permanent LED damage and will void warranty. Class 2 connection only. Use with Archilume constant current power supply only.



**Series wiring only**

**\*\*\*Use with Archilume D8-700 driver only\*\*\***

Secure mounting plate to the j-box with j-box screws insuring that secondary supply leads from power supply are routed through mounting plate hole. Check mounting plate for correct alignment. Canopies can be wired in a cluster configuration (see page 2 for more information)

Route cable through the finial, canopy and wireway. Check for correct mounting height and lock in place with locking screw until secure.

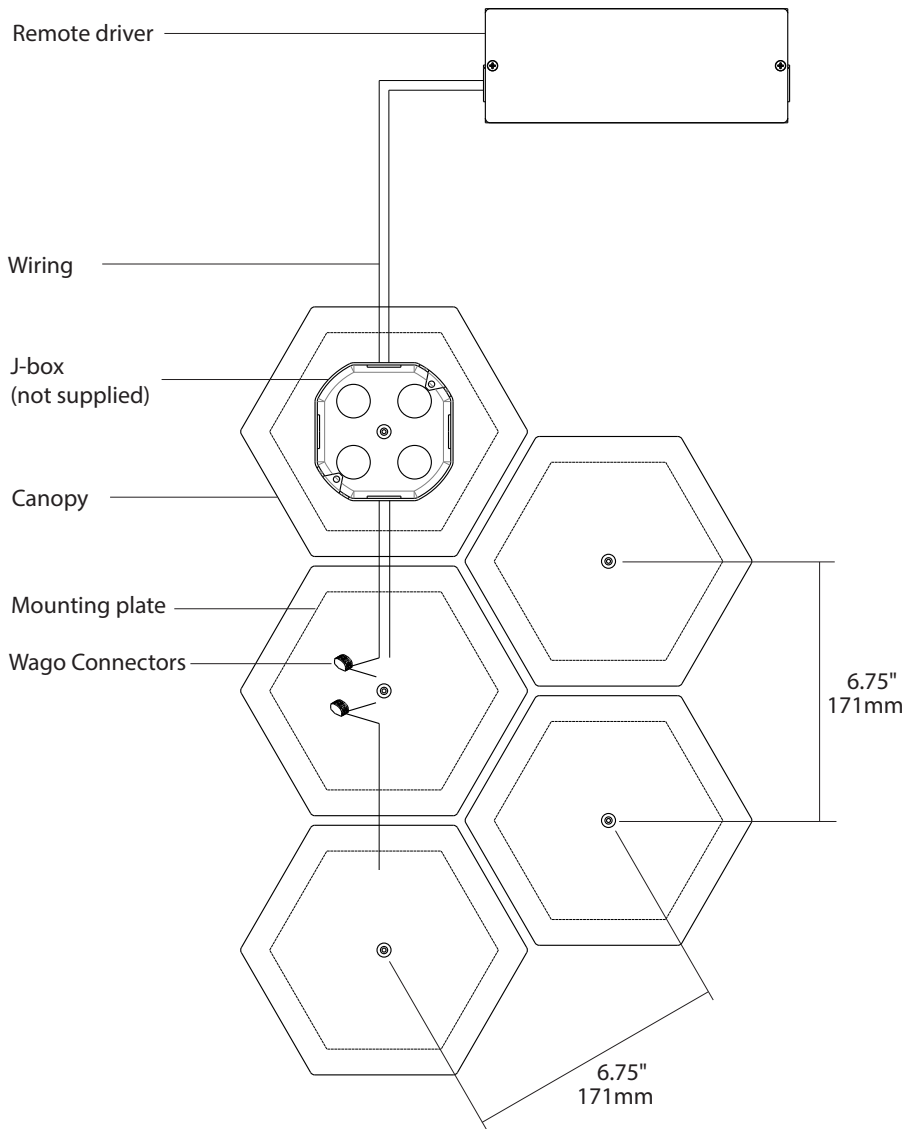
Strip the outer part of cable 3/4" exposing the outer shielding. Twist outer shielding into a wire for the negative connection. Strip center core of cable 3/8" long exposing center wire for the positive connection. Ensure that there are no frayed wires.

Connect secondary class 2 power supply to lamp head cable leads and make connections using lever lock wago connectors. Refer to wiring diagram for correct wiring procedure. Push connections securely into mounting plate.

Push canopy up to mounting plate ensuring that no wires are exposed. Screw finial to wireway and secure in place.

**WARNING** To be installed by qualified electrician. Power must be off when work is done. Failure to do so will cause permanent LED damage and will void warranty. Class 2 connection only. Use with Archilume constant current power supply only.

Cluster configurations can be created by wiring multiple canopies together in series using the surface wiring option (check local codes before wiring). Refer to wiring diagram for wiring connection.

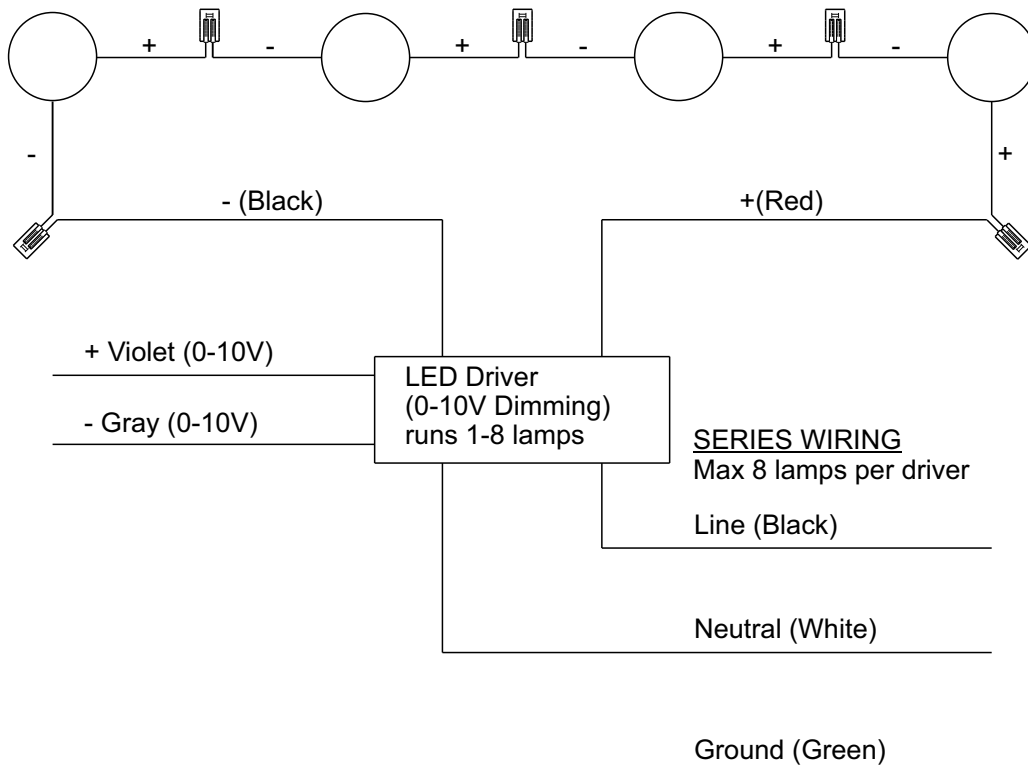


**WARNING** To be installed by qualified electrician. Power must be off when work is done. Failure to do so will cause permanent LED damage and will void warranty. Class 2 connection only. Use with Archilume constant current power supply only.

**Series wiring only**

**\*\*\*Use with Archilume P1, P1M, P1C, P1D, P1T, P2, P3, P4, P5, P1\_Balance, P2\_Balance, W1D, W1U, W2UD, W4 only\*\*\***

**\*\*\*DO NOT USE ON ALTO, AURA or OVOLO\*\*\***



**SERIES WIRING**  
Max 8 lamps per driver

Line (Black)

Neutral (White)

Ground (Green)

**WARNING** To be installed by qualified electrician. Power must be off when work is done. Failure to do so will cause permanent LED damage and will void warranty. Class 2 connection only. Use with Archilume constant current power supply only.

**Series wiring only**

**\*\*\*Use with Archilume P1, P1M, P1C, P1D, P1T, P2, P3, P4, P5, P1\_Balance, P2\_Balance, W1D, W1U, W2UD, W4 only\*\*\***

**\*\*\*DO NOT USE ON ALTO, AURA or OVOLO\*\*\***

